

itl boulder
THE LIGHT CENTER OF THE INDUSTRY SINCE 1955

INDEPENDENT TESTING LABORATORIES, INC.
3386 LONGHORN ROAD, BOULDER, CO 80302 USA

PHONE: (303)442-1255 • FAX: (303)449-5274 • E-MAIL: itl@itlboulder.com • WEBSITE: www.itlboulder.com

REPORT NUMBER: ITL34024

DATE: 12-22-87

PREPARED FOR: MUSCO LIGHTING INC.

REVISED: 02-12-03

CATALOG NUMBER: SPORTS CLUSTER 1

LUMINAIRE: FORMED SEMI-SPECULAR REFLECTOR. CLEAR FLAT GLASS ENCLOSURE. REFLECTOR TILTED 27 DEGREES.

LAMP: CLEAR 1500-WATT METAL HALIDE, RATED 155000 LUMENS.

NOTE: THE CANDLEPOWER DATA USED TO PRODUCE THIS REVISED REPORT IN THE NEW IES LM-35-2002 FORMAT WAS INTERPOLATED FROM THE ORIGINAL REPORT. THE ORIGINAL REPORT CONTAINED CANDLEPOWER DATA AT THE OLDER LM-35-1970 TEST INCREMENTS; ACTUAL PERFORMANCE MAY VARY.

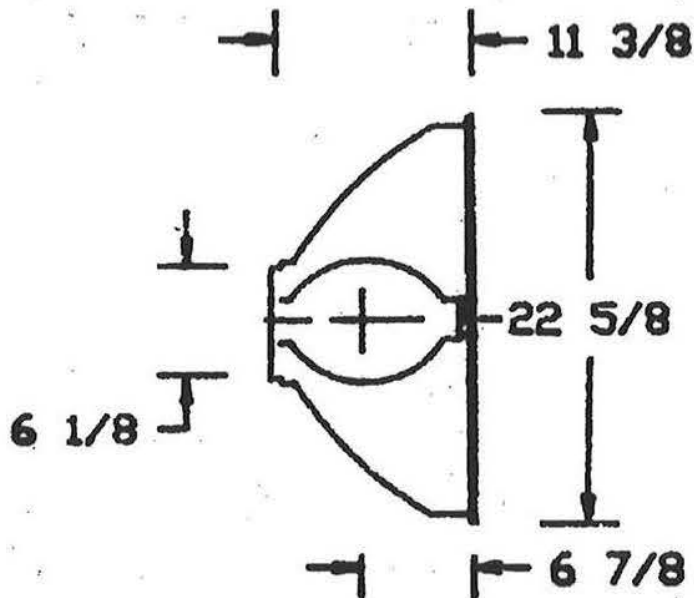
REPORT IS BASED ON 155000 LUMENS PER LAMP.

FLOODLIGHT CHARACTERISTICS

IES TYPE 2H X 3V
 MAXIMUM CANDLEPOWER 1360496. AT 0.0 H, -1.4 V
 HORIZONTAL BEAM ANGLE (50%) 6.1 deg
 VERTICAL BEAM ANGLE (50%) 6.9 deg
 HORIZONTAL FIELD ANGLE (10%) 26.2 deg
 VERTICAL FIELD ANGLE (10%) 29.2 deg
 BEAM LUMENS (EFFICIENCY) 9095. (5.9 %)
 FIELD LUMENS (EFFICIENCY) 48692. (31.4 %)
 TOTAL LUMENS (EFFICIENCY) 107909. (69.6 %)

AXIAL CANDLEPOWER

DEG	HORIZ.	DEG	VERT.
90.0	0.	90.0	0.
85.0	0.	85.0	0.
75.0	98.	75.0	0.
65.0	4597.	65.0	3619.
55.0	11149.	55.0	12225.
47.5	10465.	47.5	12323.
42.5	10171.	42.5	12421.
37.5	10465.	37.5	13007.
33.0	11051.	33.0	13985.
29.0	10465.	29.0	15648.
25.5	15452.	25.5	19071.
22.5	33056.	22.5	25428.
19.5	60440.	19.5	58876.
17.0	78729.	17.0	82934.
15.0	98582.	15.0	113252.
13.0	129683.	13.0	148265.
11.0	163815.	11.0	181321.
9.0	196480.	9.0	217996.
7.0	274427.	7.0	281371.
5.0	400002.	5.0	393058.
3.0	675211.	3.0	614575.
1.0	1134871.	1.0	971839.
0.0	1235899.	0.0	1235899.
-1.0	1134871.	-1.0	1360203.
-3.0	675211.	-3.0	974479.
-5.0	400002.	-5.0	510614.
-7.0	274427.	-7.0	360882.
-9.0	196480.	-9.0	272764.
-11.0	163815.	-11.0	223277.
-13.0	129683.	-13.0	186016.
-15.0	98582.	-15.0	145722.
-17.0	78729.	-17.0	106993.
-19.5	60440.	-19.5	66797.
-22.5	33056.	-22.5	36577.
-25.5	15452.	-25.5	19071.
-29.0	10465.	-29.0	15550.
-33.0	11051.	-33.0	13203.
-37.5	10465.	-37.5	11834.
-42.5	10171.	-42.5	11247.
-47.5	10465.	-47.5	11443.
-55.0	11149.	-55.0	12127.
-65.0	4597.	-65.0	6161.
-75.0	98.	-75.0	0.
-85.0	0.	-85.0	0.
-90.0	0.	-90.0	0.



Checked RDB
 Approved R. Berger

ALL CANDELA AND LUMEN VALUES IN THIS REPORT ARE BASED ON RELATIVE PHOTOMETRY WHICH ASSUMES A BALLAST FACTOR= 1.000. ANY CALCULATIONS PREPARED FROM THESE DATA SHOULD INCLUDE AN APPROPRIATE BALLAST FACTOR.

THIS REPORT IS BASED ON PUBLISHED INDUSTRY PROCEDURES. FIELD PERFORMANCE MAY DIFFER FROM LABORATORY PERFORMANCE.